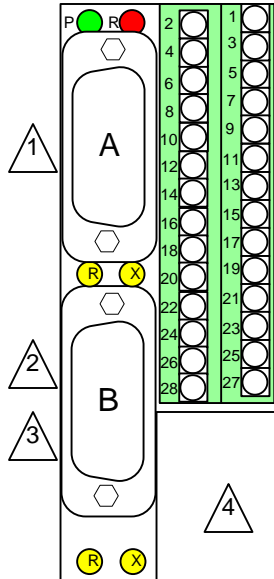


### Status Indicators

LED	Description
Link Green	Ethernet connected. Light located on RJ45 Connector
Activity Yellow	Ethernet activity. Light located on RJ45 connector.
X Yellow	Transmit. Flashes with each character sent. A = DCE Port. B= DTE Port.
R Yellow	Receive. Flashes with each character received. A = DCE Port. B= DTE Port.
P Green	Processor Running
R Red	Failed. Indicates power too low or failure of module.

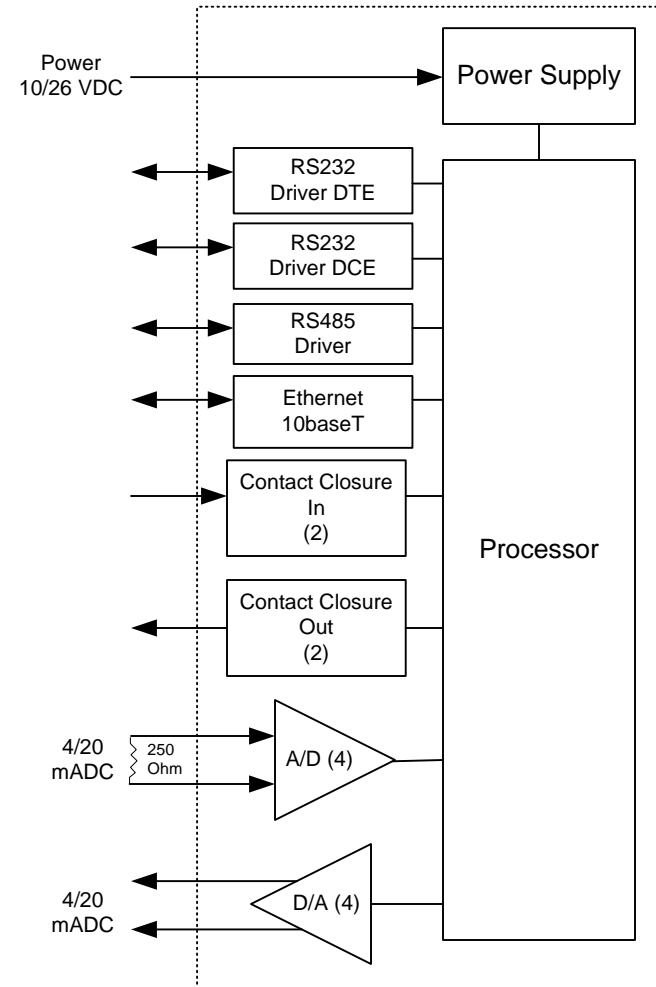
### View from Front



### Wiring Table

Nbr	Description	Nbr	Description
2	Select Jumper (+)	1	Power (+)
4	Select Jumper (-)	3	Power (-)
6	Analog In 1 (+)	5	Analog In 1 (-)
8	Analog In 2 (+)	7	Analog In 2 (-)
10	Analog In 3 (+)	9	Analog In 3 (-)
12	Analog In 4 (+)	11	Analog In 4 (-)
14	Analog Out 1 (+)	13	Analog Out 1 (-)
16	Analog Out 2 (+)	15	Analog Out 2 (-)
18	Analog Out 3 (+)	17	Analog Out 3 (-)
20	Analog Out 4 (+)	19	Analog Out 4 (-)
22	Contact In 1 (+)	21	Contact In 1 (-)
24	Contact In 2 (+)	23	Contact In 2 (-)
26	Contact Out 1 (+)	25	Contact Out 1 (-)
28	Contact Out 2 (+)	27	Contact Out 2 (-)

### Simplified Schematic



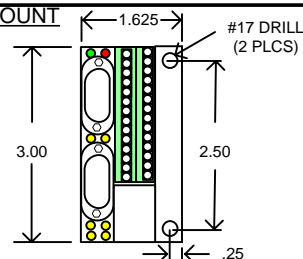
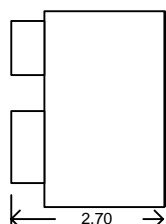
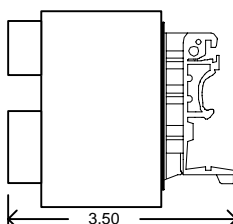
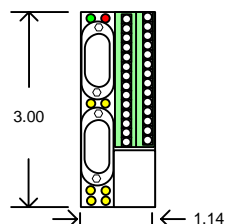
### Notes:

- 1 DCE RS232 Connector is 9 Pin female.
- 2 DTE RS232 Connector is 9 Pin male.
- 3 RS485 uses Pins 1 and 9 of DTE 9 pin connector. RS485 is 2 wire, half duplex. 120 ohm termination resistor required at each end but not at each DC.
- 4 10baseT Ethernet port uses RJ45 connector. Link and Activity lights are located on RJ45 connector.
- 5 Jumper pins 2 and 4 to enable default Master mode of operation.
- 6 Contact outputs rated 0.3 A at 125 VAC, 0.5 A at 30 VDC.
- 7 Use a 9 Pin Male to Female cable from Port B to Port A of the next Data Controller to cascade Data Controllers.

#### DIN MOUNT

#### ALL DIMENSIONS IN INCHES

#### AUX MOUNT



Signature	Date
Drawn By JV	09/12/05
Checked By RF	09/12/05
Engr Appvd KH	09/12/05
QC Apprvd NT	09/12/05
Contract No.	

AGM Electronics, Inc.  
Tucson, Arizona

Wiring and Schematic Diagram

Data Controller (4AIO, 2DIO)  
DIN/AUX5018-3

Code ID No.	Size	Part No.	Rev
	A	WSD - 20166-36	nc
Scale - None		WI	Sheet 1 of 1