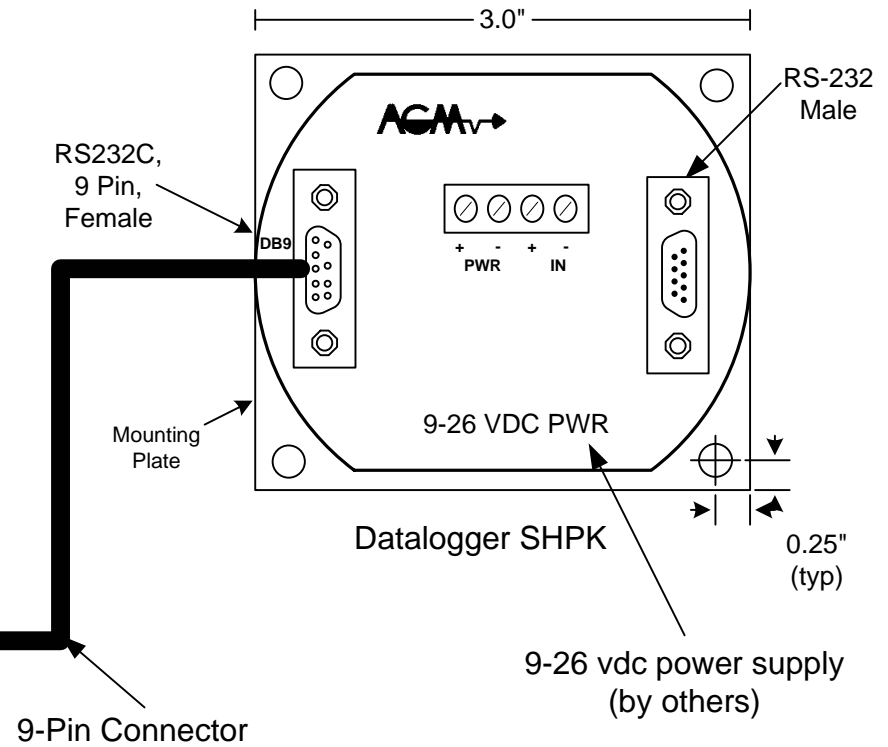
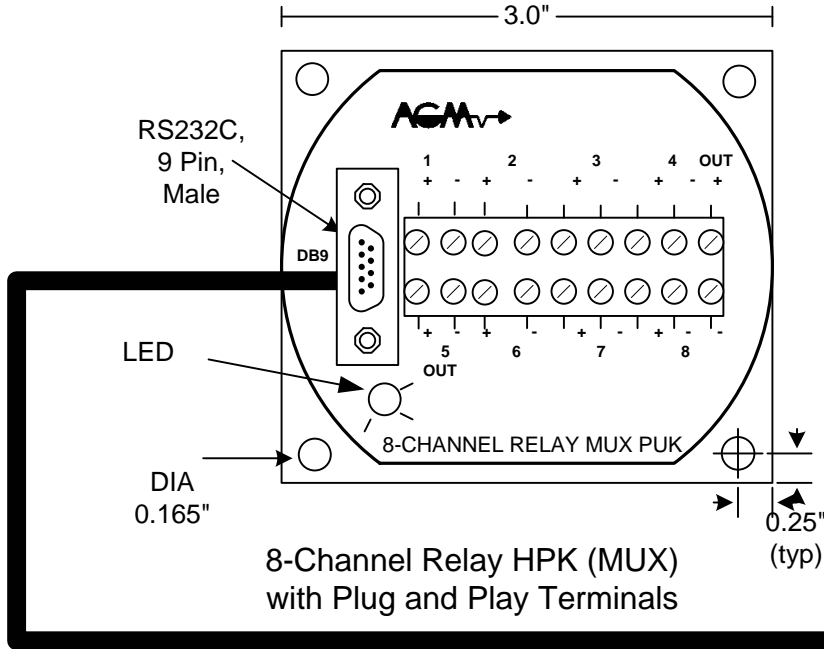


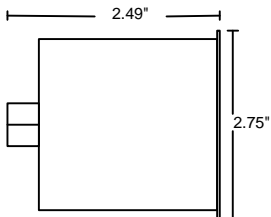
Relay Contacts

28 vdc/vac @ 500madc
non-inductive



Power note: 9-26 vdc
Max current = 50madc
Low power 12 vdc optional

NOTE: Use "AGM Datalogger Disk" for SHPK Configurations and Data Download.
Sub-assemblies Suitable for bulkhead mounting (Vertical or Horizontal)



Drawn by:	Date:	SO/PRO #		Rev NC
Checked by:	Date:	Ref #	Type FP	
Approved by:	Date:	File Name		Sheet 2 of 5

AGM Electronics, Inc.
Tucson, Arizona

Front View

Mux Puk System